



### Want to find out more?

Please visit our website [www.heatedtowelrails.net.au](http://www.heatedtowelrails.net.au) for more information, including details of your local retailer and our display centres.

Contact your local retailer shown below.

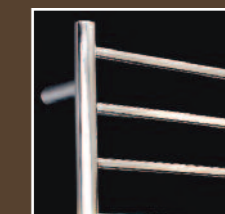
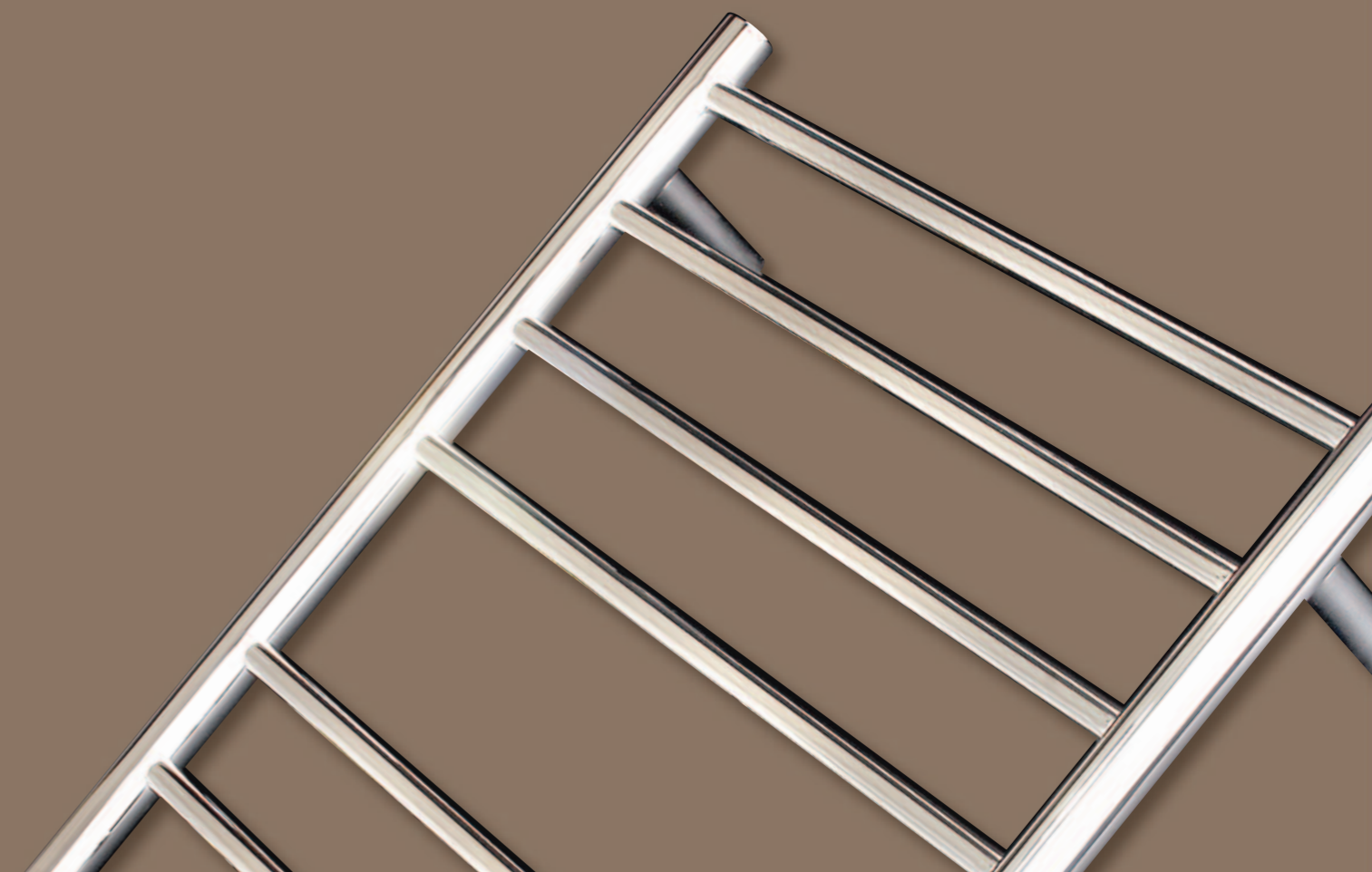
Please note that the brochure is correct at time of printing, but as we do add to our range from time to time, we would recommend that you check our website for all current models available.

Radiant Heated Towel Rails have been installed in several prestigious apartment developments. For architects and developers, we are able to produce almost any size/style of towel rail to order (both heated and non-heated), subject to minimum order quantities - please contact us if you require further information.

Distributor


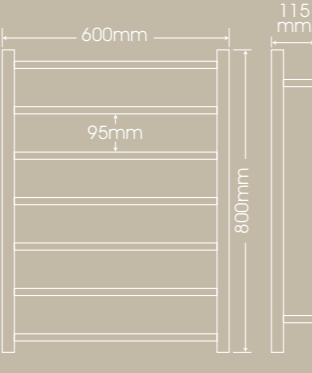

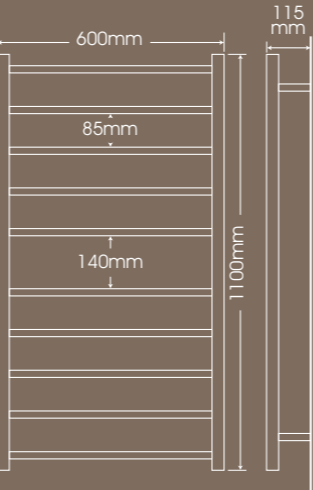

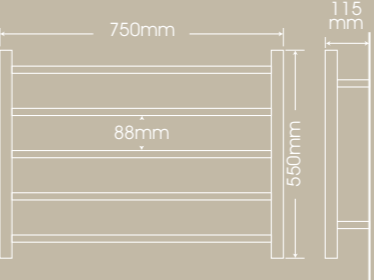

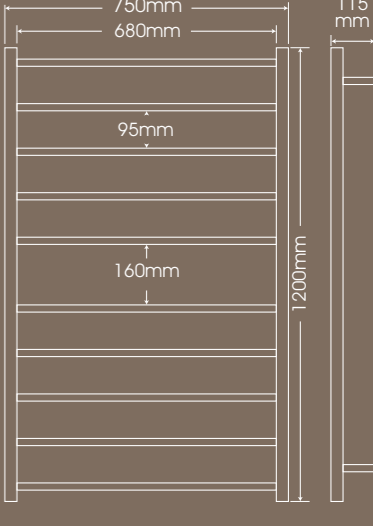
[www.radiantfloorheating.com.au](http://www.radiantfloorheating.com.au)

## Experience the luxury of RADIANT Heated Towel Rails



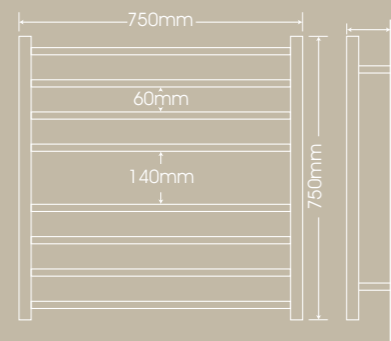
## Welcome to Radiant Towel Rails – designers of beautiful crafted stainless steel heated towel rails.

We are an Australian owned and managed business, dedicated to supplying the highest quality heated towel rails at affordable prices. Our range of heated towel rails are crafted from 304 grade stainless steel, they are mirror polished and finished by hand for consistent quality.

RTR-1	Dimensions	RTR-2	Dimensions	RTR-3	Dimensions	RTR-4	Dimensions
	 <p>Approx mounting positions are as follows Horizontal centre-centre: 565mm Vertical centre-centre: 570mm</p>		 <p>Approx mounting positions are as follows Horizontal centre-centre: 565mm Vertical centre-centre: 900mm</p>		 <p>Approx mounting positions are as follows Horizontal centre-centre: 715mm Vertical centre-centre: 370mm</p>		 <p>Approx mounting positions are as follows Horizontal centre-centre: 715mm Vertical centre-centre: 980mm</p>
<h3>Specifications</h3>		<h3>Specifications</h3>		<h3>Specifications</h3>		<h3>Specifications</h3>	
<ul style="list-style-type: none"> <li>• 600mm Wide</li> <li>• 800mm High</li> <li>• 304 Grade Stainless Steel</li> <li>• Mirror Polished Finish</li> <li>• Hard Wired or Plug in</li> <li>• 75 Watts</li> <li>• Vertical bars 32mm diameter</li> <li>• Horizontal bars 19mm diameter</li> <li>• 7 Bars</li> <li>• Features - <i>straight bars, evenly spaced</i></li> </ul>		<ul style="list-style-type: none"> <li>• 600mm Wide</li> <li>• 1100mm High</li> <li>• 304 Grade Stainless Steel</li> <li>• Mirror Polished Finish</li> <li>• Hard Wired or Plug in</li> <li>• 125 Watts</li> <li>• Vertical bars 32mm diameter</li> <li>• Horizontal bars 19mm diameter</li> <li>• 10 Bars</li> <li>• Features - <i>straight bars, evenly spaced, central gap</i></li> </ul>		<ul style="list-style-type: none"> <li>• 750mm Wide</li> <li>• 550mm High</li> <li>• 304 Grade Stainless Steel</li> <li>• Mirror Polished Finish</li> <li>• Hard Wired or Plug in</li> <li>• 55 Watts</li> <li>• Vertical bars 32mm diameter</li> <li>• Horizontal bars 19mm diameter</li> <li>• 5 Bars</li> <li>• Features - <i>straight bars</i></li> </ul>		<ul style="list-style-type: none"> <li>• 750mm Wide</li> <li>• 1200mm High</li> <li>• 304 Grade Stainless Steel</li> <li>• Mirror Polished Finish</li> <li>• Hard Wired or Plug in</li> <li>• 130 Watts</li> <li>• Vertical bars 32mm diameter</li> <li>• Horizontal bars 19mm diameter</li> <li>• 10 Bars</li> <li>• Features - <i>straight bars, evenly spaced, central gap</i></li> </ul>	

## RTR-6

### Dimensions



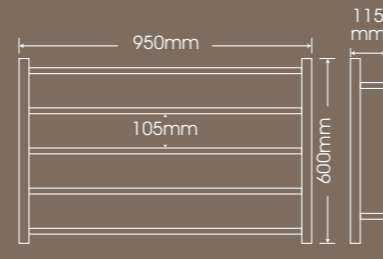
Approx mounting positions are as follows  
Horizontal centre-centre: 715mm  
Vertical centre-centre: 570mm

### Specifications

- 750mm Wide
- 750mm High
- 304 Grade Stainless Steel
- Mirror Polished Finish
- Hard Wired or Plug in
- 80 Watts
- Vertical bars 32mm diameter
- Horizontal bars 19mm diameter
- 8 Bars
- Features - *straight bars, evenly spaced, central gap*

## RTR-7

### Dimensions



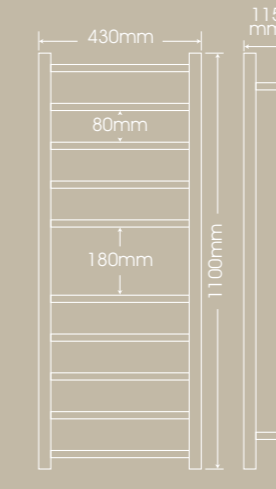
Approx mounting positions are as follows  
Horizontal centre-centre: 915mm  
Vertical centre-centre: 420mm

### Specifications

- 950mm Wide
- 600mm High
- 304 Grade Stainless Steel
- Mirror Polished Finish
- Hard Wired or Plug in
- 80 Watts
- Vertical bars 32mm diameter
- Horizontal bars 19mm diameter
- 5 Bars
- Features - *straight bars, evenly spaced, central gap*

## RTR-430

### Dimensions



Approx mounting positions are as follows  
Horizontal centre-centre: 400mm  
Vertical centre-centre: 915mm

### Specifications

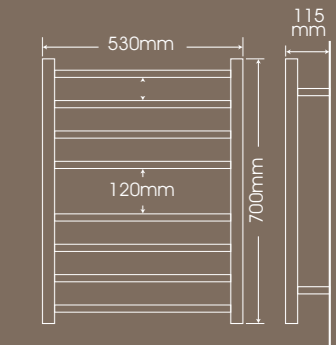
- 430mm Wide
- 1100mm High
- 304 Grade Stainless Steel
- Mirror Polished Finish
- Hard Wired or Plug in
- 80 Watts
- Vertical bars 32mm diameter
- Horizontal bars 19mm diameter
- 10 Bars
- Features - *straight bars, evenly spaced, central gap*

## RTR-530

### Dimensions



Detail showing concealed wiring bracket



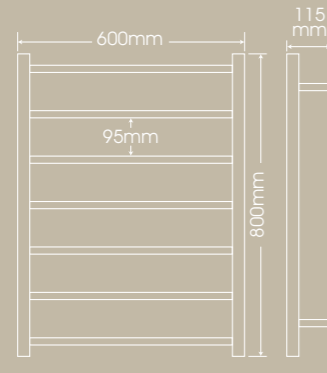
Approx mounting positions are as follows  
Horizontal centre-centre: 495mm  
Vertical centre-centre: 530mm

### Specifications

- 530mm Wide
- 700mm High
- 304 Grade Stainless Steel
- Mirror Polished Finish
- Hard Wired or Plug in
- 65 Watts
- Vertical bars 32mm diameter
- Horizontal bars 19mm diameter
- 8 Bars
- Features - *straight bars, evenly spaced, central gap*

## STR-1

### Dimensions



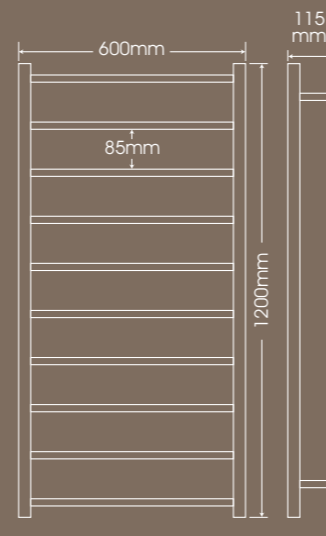
Approx mounting positions are as follows  
Horizontal centre-centre: 570mm  
Vertical centre-centre: 620mm

### Specifications

- 600mm Wide
- 800mm High
- 304 Grade Stainless Steel
- Mirror Polished Finish
- Hard Wired or Plug in
- 80 Watts
- Vertical bars 31mm x 31mm diameter
- Horizontal bars 19mm x 19mm diameter
- 7 Bars
- Features - *straight bars Square profile*

## STR-2

### Dimensions



### Specifications

- 600mm Wide
- 1200mm High
- 304 Grade Stainless Steel
- Mirror Polished Finish
- Hard Wired or Plug in
- 130 Watts
- Vertical bars 31mm x 31mm diameter
- Horizontal bars 19mm x 19mm diameter
- 10 Bars
- Features - *straight bars, Square profile*

### Dimensions

## RTR and STR Series Technical Specifications

The RTR and STR series heated towel rails come complete with a moulded plug (please specify bottom left or right side). If you prefer to hard wire your heated towel you can ask your electrician to do this one of two ways - please see drawings below for details:

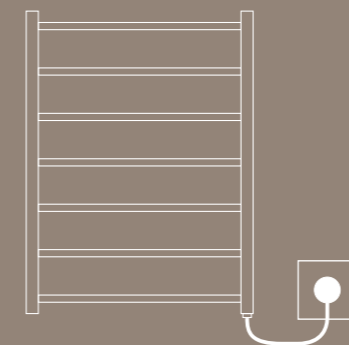
Hard wired directly to a standard switch with the cable visible (switch not included).  
Hard wired to a separate switch with the wire concealed. Included free with every heated towel rail, you will find an extra bracket to conceal the wire as it goes into the wall (see drawing).

	RTR-1	RTR-2	RTR-3	RTR-4	RTR-6	RTR-7	RTR-430	RTR-530	STR-1	STR-2
Height (mm)	800mm	1100mm	550mm	1200mm	750mm	600mm	1100mm	700mm	800mm	1200mm
Width (mm)	600mm	600mm	750mm	750mm	750mm	950mm	430mm	530mm	600mm	600mm
No. of Bars	7	10	5	10	8	5	10	8	7	10
Watts	75	125	55	130	80	80	80	65	80	130

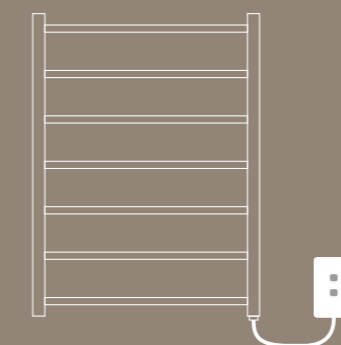
**NOTE:** For options 2 and 3 installation must be carried out by a licenced electrician.

The Radiant Heated Towel Rail range are manufactured in accordance with Australian Standards - SAA Certificate of Approval number V07911 and come with a two year replacement warranty.

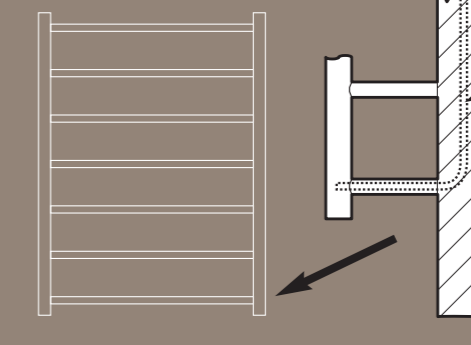
### Wiring Options



Plug In



Hard Wired to Switch



Hard Wired Concealed Cable

### Detail

Cable in wall or conduit to separate switch



### HARD WIRED OR PLUG IN

Radiant Towel Rails can be plugged in or hard wired to a switch with the cable hidden. A Concealed cable bracket is included with every towel rail as shown in the photo above.